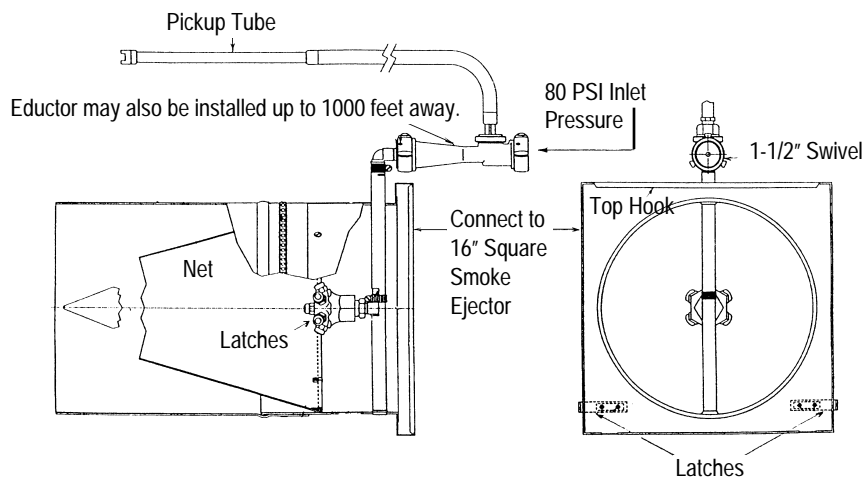




AKRON STYLE 3500 HIGH EXPANSION FOAM GENERATOR

The Akron Style 3500 Foam Generator is designed for use with high expansion foam concentrates. The Style 3500 fits onto a 16" square smoke ejector and is capable of producing foam up to 1000:1 expansion

The foam generated by this device is suited for indoor fires and confined areas. Outdoor use may be limited because of wind effects and lack of confinement.



PRODUCT WARNINGS

Maximum operating pressure is 150 PSI.

Pressures below 80 PSI at Eductor will effect volume and performance of unit.

Control valves inline should be opened and closed slowly.

Make sure ejector and generator are secured for use.

Avoid contact with open electric circuits.

GENERAL INSTRUCTIONS

After use with foam, flush with clean water for at least 3 minutes.

Charge all lines slowly to facilitate controlled water pressure build up during start up.

For fire fighters use only.

For use with high expansion foams only.

Ensure that the threads on inlet and outlet of Eductor are tightened with a spanner wrench.

OPERATING INSTRUCTIONS

1. Hook the foam generator over the top lip on the smoke ejector. Swing down and latch together.
2. Attach the 25 GPM Eductor as shown in diagram or up to 1000 feet away on 1-1/2" or 1-3/4" hose.
3. Turn smoke ejector on and commence water flow. Place pickup hose into foam supply. Note: You should have 80 psi at Eductor inlet for proper operation. (Friction loss - 1-1/2" hose is 2 PSI per 100 feet - 1-3/4" hose is 1 PSI per 100 feet.)
4. Unit will educt 2% foam concentrate. (A 5 gallon pail of foam should last about 10 minutes.)



ISO 9001 REGISTERED COMPANY

PHONE: 330.264.5678 or 800.228.1161 | FAX: 330.264.2944 or 800.531.7335 | www.akronbrass.com
Available in Canada through AKRON MANUFACTURING COMPANY
PHONE: 519.773.8431 | FAX: 519.773.3794

REVISED 11/98

WARRANTY AND DISCLAIMER: We warrant Akron Brass products for a period of five (5) years after purchase against defects in materials or workmanship. Akron Brass will repair or replace product which fails to satisfy this warranty. Repair or replacement shall be at the discretion of Akron Brass. Products must be promptly returned to Akron Brass for warranty service.

We will not be responsible for: wear and tear; any improper installation, use, maintenance or storage; negligence of the owner or user; repair or modification after delivery; damage; failure to follow our instructions or recommendations; or anything else beyond our control. WE MAKE NO WARRANTIES, EXPRESS OR IMPLIED, OTHER THAN THOSE INCLUDED IN THIS WARRANTY STATEMENT, AND WE DISCLAIM ANY IMPLIED WARRANTY OF MERCHANTABILITY OR FITNESS FOR ANY PARTICULAR PURPOSE. Further, we will not be responsible for any consequential, incidental or indirect damages (including, but not limited to, any loss of profits) from any cause whatsoever. No person has authority to change this warranty.

© Premier Farnell Corporation. 2000 All rights reserved. No portion of this can be reproduced without the express written consent of Premier Farnell Corporation.

A Premier Farnell Company