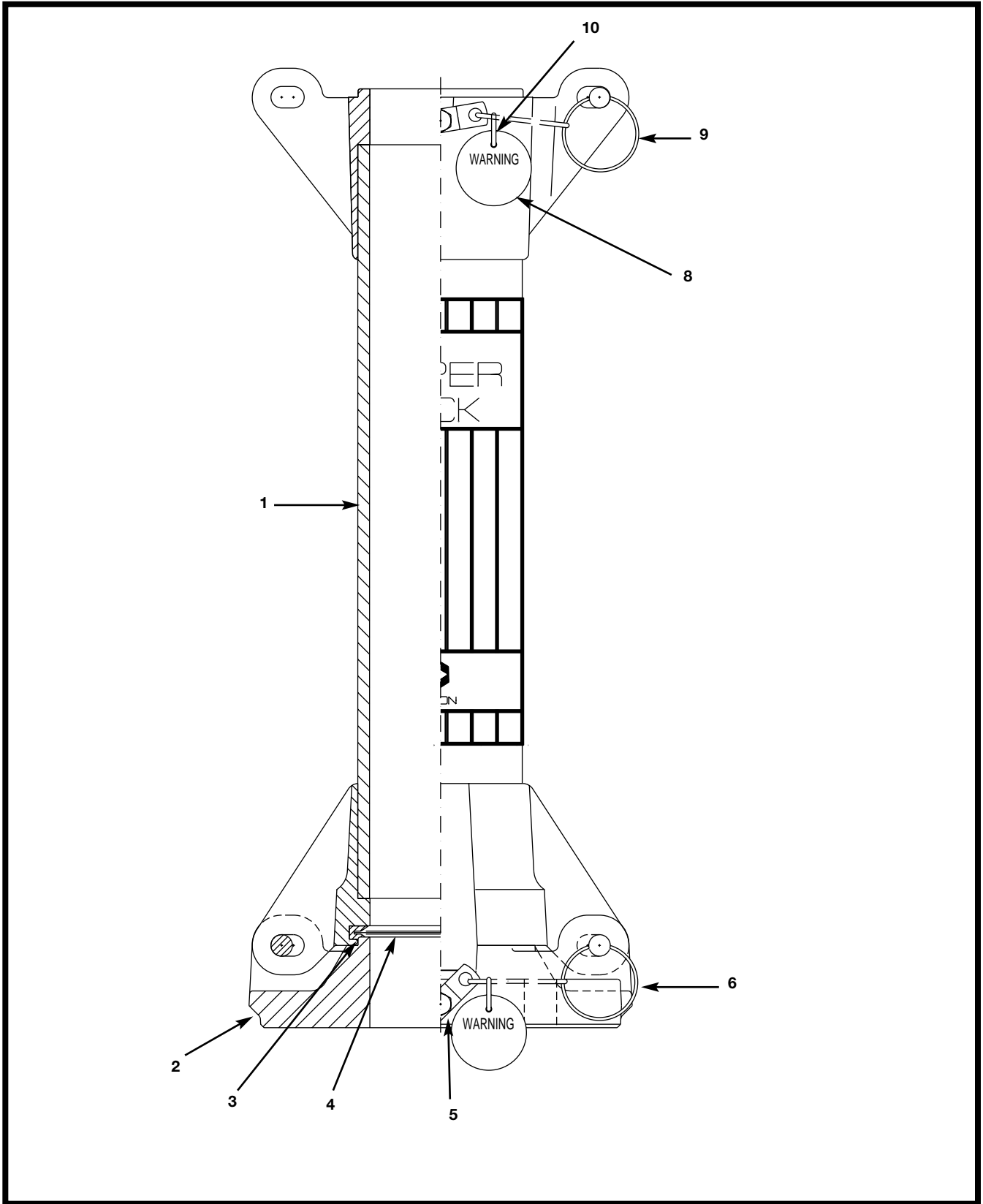


**TECHNICAL SERVICE PARTS LIST**





**STYLE 3405**  
**The Upper Deck™**

## TECHNICAL SERVICE PARTS LIST

ITEM NO.	DESCRIPTION	PART NUMBER	QUANTITY
1	Extension Pipe	3405-0011	1
2	Direct Mount Flange	3423-0006	1
2	3410 - 3413 Single Inlet Direct Mount	3413-0007	1
2	Direct Mount Flange w/Switch	3405-0008	1
2	3410 - 3413 SI Direct Mount w/Switch	3405-0009	1
3	Vee Gasket	7-14-173	1
4	Retaining Ring	7-58-148	1
5	Hex Head Cap Screw	7-61-066	2
6	Bottom Lock Pin with Lanyard	109258	2
7	Label (Not Shown)	7-29-171	1
8	Warning Tag-Lock Pins	7-73-135	2
9	Top Lock Pin with Lanyard	109259	2
10	Split Key Ring	7-58-142	4

## STYLE 3405 UPPER DECK OPERATING INSTRUCTIONS

The Upper Deck is designed to raise an Apollo 18 inches. The following operating instructions are provided to assist in obtaining the best possible performance from this product.

**READ OPERATING INSTRUCTIONS BEFORE INSTALLING AND USING THIS PRODUCT.**

### PRODUCT RATINGS

MAXIMUM SWITCH VOLTAGE: 120 VAC OR 28 VDC

MAXIMUM CURRENT: 1.5 AMPS

### PRODUCT WARNINGS

**△ WARNING:** Insufficient structural support can lead to failure, which has potential to cause an injury. Therefore, additional structural support at the inlet flange may be required. For example: A 3 inch NPT thread on an unsupported schedule 40 or 80 iron pipe would not adequately support an Apollo mounted on an Upper Deck, flowing 1250 gpm at 100 psi. See the reverse side of this sheet for a typical support method.

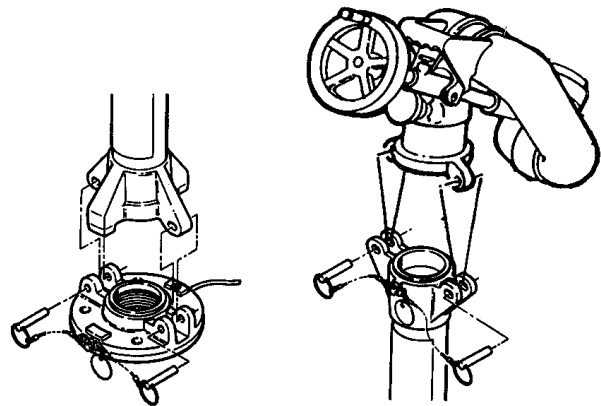
**△ WARNING:** To avoid clearance problems store the Upper Deck before moving apparatus. Always remove Apollo first.

## INSTALLATION INSTRUCTIONS

The Upper Deck requires using the proper direct mount flange. Secure the proper flange in place with four  $\frac{5}{8}$ " bolts and nuts of grade 5 minimum and suitable washers or thread on to a suitable 3 inch NPT threaded pipe with a minimum of six threads of engagement. The pipe wall thickness must be sized properly to resist the side loads when flowing the Apollo. The additional bending moment at the flange created by the Upper Deck while flowing 1250 gpm at 100 psi is 950 foot pounds.

## OPERATING INSTRUCTIONS

1. Place the support ribs of the Upper Deck on the machined pads of the direct mount flange so the ears of the Upper Deck are between the dual ears on the direct mount flange and the holes in the two ears of both parts are aligned.
2. Insert the lock pins attached to the direct mount flange one pin at a time into the aligned holes. Ensure that both pins are fully engaged and the pin lock ball is exposed.
3. Place the Apollo lift-off on the Upper Deck so that the ears on the Apollo are between the dual ears of the Upper Deck and the holes in the ears of both parts are aligned.



STEPS 1 & 2

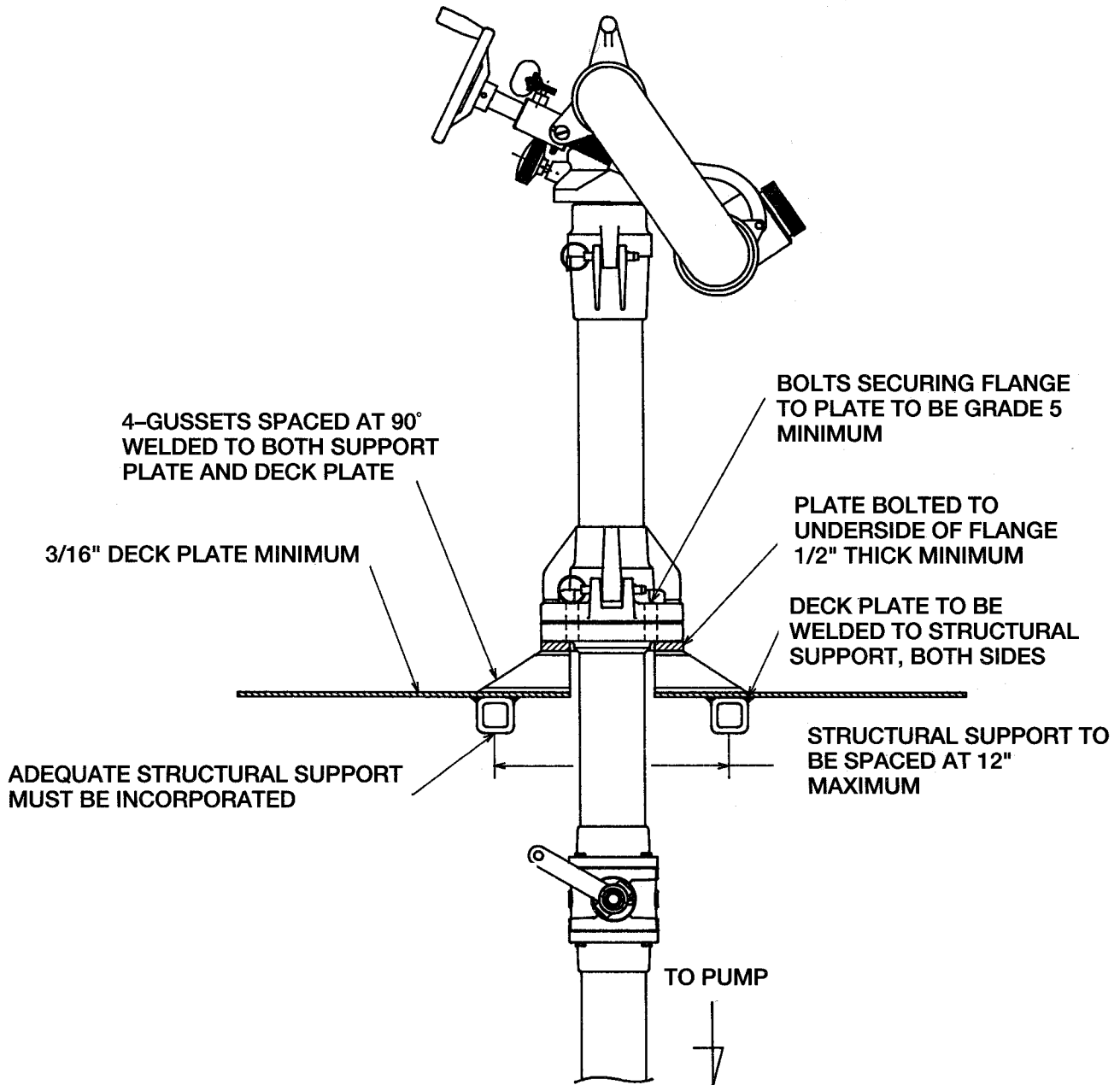
STEPS 3 & 4

4. Insert the lock pins attached to the Upper Deck one pin at a time into the aligned holes. Ensure that both pins are fully engaged and the pin lock ball is exposed.

**MAKE SURE ALL FOUR PINS ARE FULLY ENGAGED BEFORE FLOWING WATER.**

**Optional Switch for Warning System** - An optional switch built into the direct mount flange of the Upper Deck is available. This switch can be wired into an existing "compartment door open" warning system or individual warning system to alert the operator that the Upper Deck is in place and that the vehicle should not be moved until the Upper Deck is properly removed and stored. The switch is electrically configured normally open and closes when the Upper Deck is in place. If the switch is not incorporated into an existing warning system, a relay sized for the voltage and current demands of the electrical system should be used.

## A POSSIBLE SUPPORT METHOD



ADDITIONAL BENDING MOMENT AT THE FLANGE  
CREATED BY THE UPPER DECK WHILE FLOWING  
1250 GPM IS 950 FOOT POUNDS.



ISO 9001 REGISTERED COMPANY

PHONE: 330.264.5678 or 800.228.1161 | FAX: 330.264.2944 or 800.531.7335 | [www.akronbrass.com](http://www.akronbrass.com)

Available in Canada through AKRON MANUFACTURING COMPANY

PHONE: 519.773.8431 | FAX: 519.773.3794

REVISED 08/02

WARRANTY AND DISCLAIMER: We warrant Akron Brass products for a period of five (5) years after purchase against defects in materials or workmanship. Akron Brass will repair or replace product which fails to satisfy this warranty. Repair or replacement shall be at the discretion of Akron Brass. Products must be promptly returned to Akron Brass for warranty service.

We will not be responsible for: wear and tear; any improper installation, use, maintenance or storage; negligence of the owner or user; repair or modification after delivery; damage; failure to follow our instructions or recommendations; or anything else beyond our control. WE MAKE NO WARRANTIES, EXPRESS OR IMPLIED, OTHER THAN THOSE INCLUDED IN THIS WARRANTY STATEMENT, AND WE DISCLAIM ANY IMPLIED WARRANTY OF MERCHANTABILITY OR FITNESS FOR ANY PARTICULAR PURPOSE. Further, we will not be responsible for any consequential, incidental or indirect damages (including, but not limited to, any loss of profits) from any cause whatsoever. No person has authority to change this warranty.

© Premier Farnell Corporation, 2000 All rights reserved. No portion of this can be reproduced without the express written consent of Premier Farnell Corporation.

**A Premier Farnell Company**