



TRUCK MOUNT SUPPORT FLANGES STYLES 3401 & 3402

INSTALLATION AND OPERATING INSTRUCTIONS

The following is intended to provide the basic instructions for installation and operation of truck mount support flanges. Read and understand these operating instructions before use.

Truck mount support flanges are designed to add support to vehicle piping at the threaded or storz connection of the pipe, where it attaches to the inlet flange of the deck monitor.

STYLE 3401 is a pipe support flange to be used in situations where the pipe must protrude an extended distance through the deck of the truck particularly when elevating devices are used. Reaction forces can put excessive stress on the pipe threads on a standard flange and the 3401 pipe support flange distributes the load more effectively.

STYLE 3402 is a deck support flange to be used in situations where the pipe is flush or nearly flush with the deck of the vehicle. Reaction forces can put excessive stress on the pipe threads or storz connection on a standard flange. The 3402 deck support flange distributes the load over an area of the deck. **WARNING:** Adequate deck support beams **MUST BE** installed.

⚠️ WARNING: The above two support flanges primarily support the connection at the inlet flange. You must ensure the remainder of the plumbing feeding a deck mounted monitor is adequately supported to resist the loads applied by reaction forces, particularly those encountered with an Apollo Hi-Riser when operating in the elevated position or with an upper deck extension pipe.

INSTALLATION INSTRUCTIONS:

STYLE 3401

The style 3401 pipe support flange can be easily installed by simply threading the flange onto a 3" NPT pipe and then tightening the 4 set screws against the pipe. The screws should be evenly tightened using a criss-cross pattern. Make sure that you use some form of thread sealer on the pipe threads to prevent leakage.

WARNING: The pipe must still be supported at the deck level to prevent damage from high reaction forces.

STYLE 3402

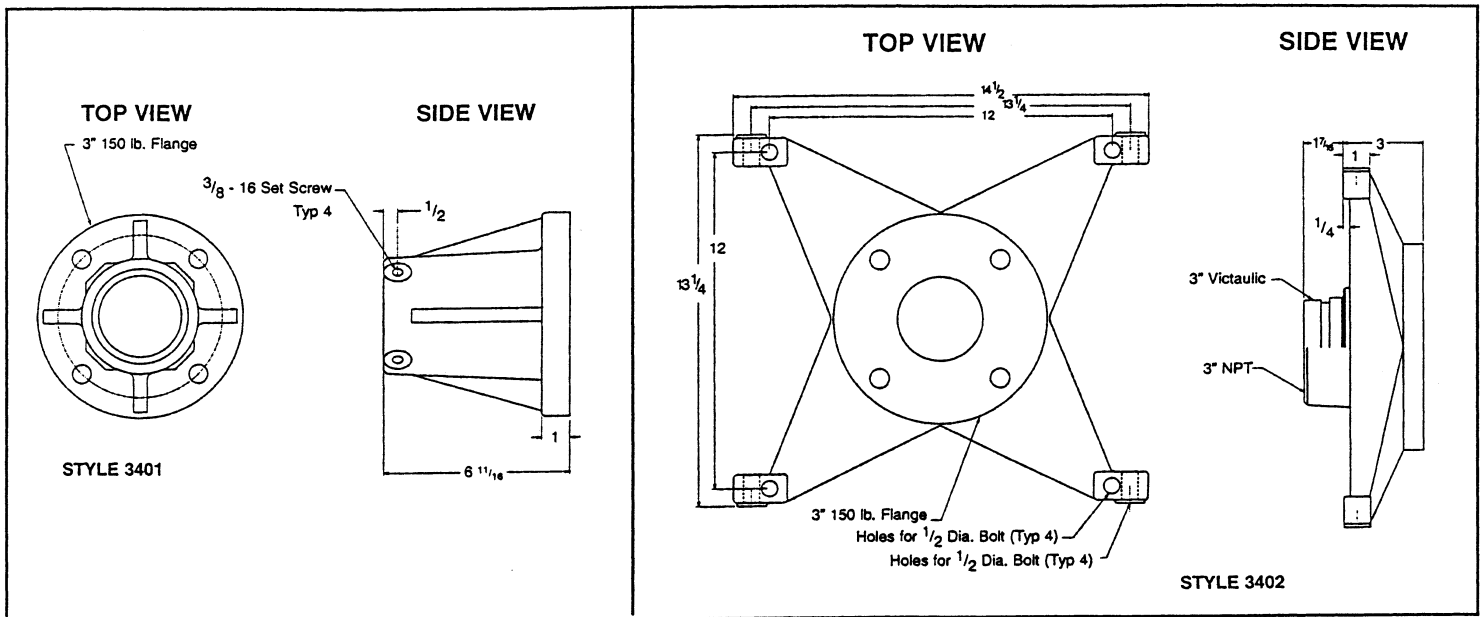
The style 3402 deck support flange can be installed using one of the following two methods:

1) First make sure you have the appropriate flange (3" NPT or 3" victaulic). The deck support beams must be spaced on 12 inch centers or the alternate installation method must be used. Four holes, large enough to accommodate a 1/2 inch bolt diameter, should be drilled through the deck support beams. Locate the holes on 12 inch centers. Attach the flange to the pipe making sure the bolt holes line up with the holes in the deck. If pipe threads are used, a thread sealer is required to prevent leakage. When attached to the pipe, the bottom of the flanges legs should be flush with the top of the deck, if not shim to suit. Use four, grade 5 minimum, 1/2 inch diameter bolts, nuts, and washers to secure the flange to the deck.

2) An alternate method of installation can be used for instances where the deck supports are not 12" centers. First make sure you have the appropriate flange (3" NPT or 3" victaulic). Deck supports must be added to

accommodate the support flange. The supports can be added above or below the deck. The support flange will be bolted between the support beams rather than on top. The beams should be spaced with 13-1/4 inches between them. Drill four holes, large enough to accommodate a 1/2 inch bolt diameter, through the new support beams 13-1/4 inches on centers. Attach the flange to the pipe making sure the bolt holes line up with the holes in the support beams. If pipe threads are used, a thread sealer is required to prevent leakage. Use four, grade 5 minimum, 1/2 inch diameter bolts, nuts, and washers to secure the flange to the support beams.

! WARNING: You must ensure the deck support structure is adequately supported to resist the loads applied by reaction forces, particularly those encountered with an Apollo Hi-Riser when operating in the elevated position or with an upper deck extension pipe.



*Note: 3401-Sufficient below deck pipe support and minimum schedule 40 pipe are required.
 3402-Sufficient crossmember/framework strength is required.



PHONE: 330.264.5678 or 800.228.1161 | FAX: 330.264.2944 or 800.531.7335 | www.akronbrass.com
 Available in Canada through AKRON MANUFACTURING COMPANY
 PHONE: 519.773.8431 | FAX: 519.773.3794

AB-677 (REV. 12/98)

WARRANTY AND DISCLAIMER: We warrant Akron Brass products for a period of five (5) years after purchase against defects in materials or workmanship. Akron Brass will repair or replace product which fails to satisfy this warranty. Repair or replacement shall be at the discretion of Akron Brass. Products must be promptly returned to Akron Brass for warranty service. We will not be responsible for: wear and tear; any improper installation, use, maintenance or storage; negligence of the owner or user; repair or modification after delivery; damage; failure to follow our instructions or recommendations; or anything else beyond our control. WE MAKE NO WARRANTIES, EXPRESS OR IMPLIED, OTHER THAN THOSE INCLUDED IN THIS WARRANTY STATEMENT, AND WE DISCLAIM ANY IMPLIED WARRANTY OF MERCHANTABILITY OR FITNESS FOR ANY PARTICULAR PURPOSE. Further, we will not be responsible for any consequential, incidental or indirect damages (including, but not limited to, any loss of profits) from any cause whatsoever. No person has authority to change this warranty.

© Premier Farnell Corporation, 2000 All rights reserved. No portion of this can be reproduced without the express written consent of Premier Farnell Corporation.

A Premier Farnell Company