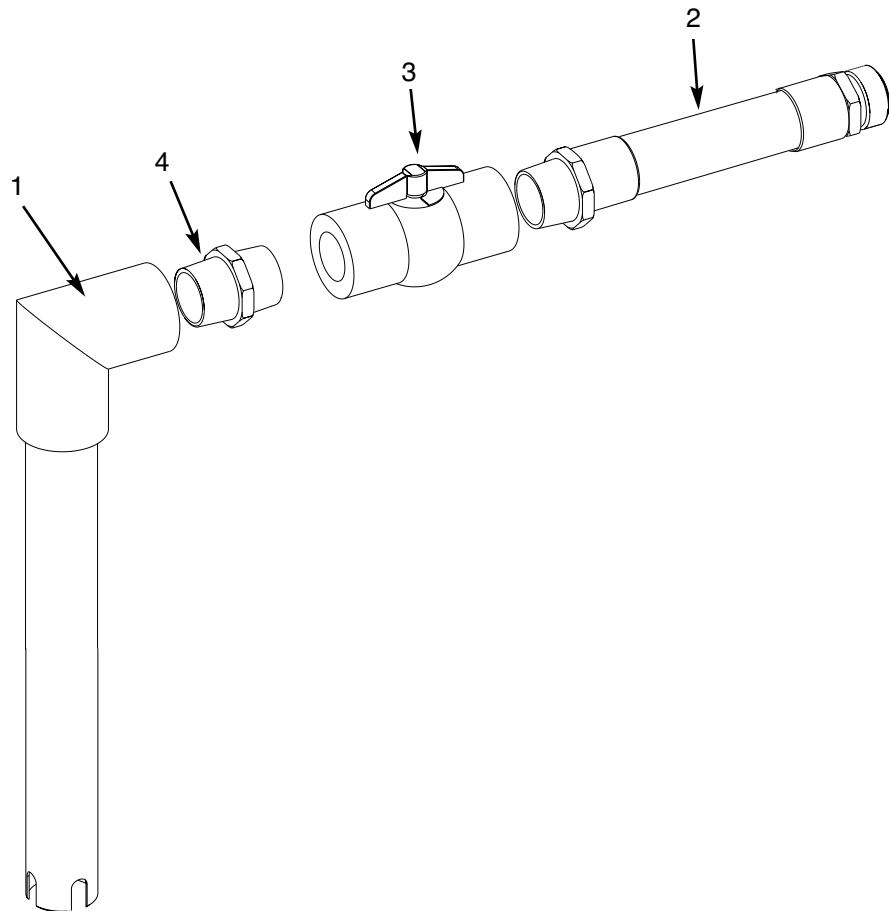




AKROFOAM SHUTOFF VALVE INSTALLATION INSTRUCTIONS

The following instructions are for installing a shutoff valve into the Akrofoam pickup assembly.

1. Unthread the elbow (1) from the pickup hose assembly (2).
2. Remove any dried pipe sealant from the female and male threads.
3. Apply Loctite 592 pipe sealant onto the threaded end of the pickup hose assembly.
4. Thread the shutoff valve (3) onto the pickup hose assembly.
5. Apply Loctite 592 pipe sealant onto both ends of the new hex nipple (4).
6. Thread the hex nipple into the shutoff valve.
7. Thread the elbow onto the hex nipple.
8. Allow the pipe sealant to set up before use.





PHONE: 330.264.5678 or 800.228.1161 | FAX: 330.264.2944 or 800.531.7335 |
www.akronbrass.com Available in Canada through AKRON MANUFACTURING
PANY PHONE: 519.773.8431 | FAX: 519.773.3794

REVISED 1/06

WARRANTY AND DISCLAIMER: We warrant Akron Brass products for a period of five (5) years after purchase against defects in materials or workmanship. Akron Brass will repair or replace product which fails to satisfy this warranty. Repair or replacement shall be at the discretion of Akron Brass. Products must be promptly returned to Akron Brass for warranty service.

We will not be responsible for: wear and tear; any improper installation, use, maintenance or storage; negligence of the owner or user; repair or modification after delivery; damage; failure to follow our instructions or recommendations; or anything else beyond our control. WE MAKE NO WARRANTIES, EXPRESS OR IMPLIED, OTHER THAN THOSE INCLUDED IN THIS WARRANTY STATEMENT, AND WE DISCLAIM ANY IMPLIED WARRANTY OF MERCHANTABILITY OR FITNESS FOR ANY PARTICULAR PURPOSE. Further, we will not be responsible for any consequential, incidental or indirect damages (including, but not limited to, any loss of profits) from any cause whatsoever. No person has authority to change this warranty.

© Premier Farnell Corporation, 2000 All rights reserved. No portion of this can be reproduced without the express written consent of Premier Farnell Corporation.

A Premier Farnell Company