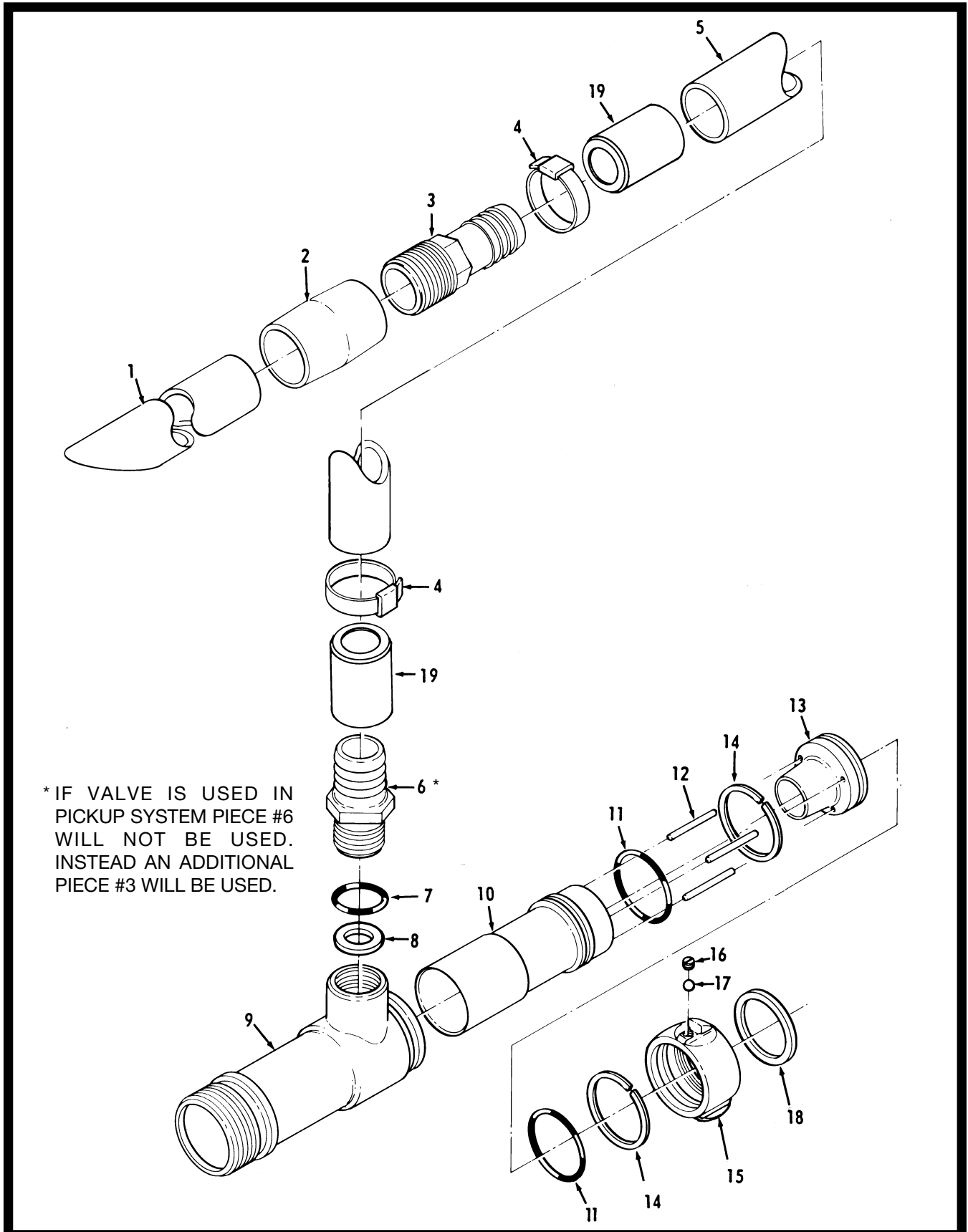


TECHNICAL SERVICE PARTS LIST





Advantage™ Educators TECHNICAL SERVICE PARTS LIST

ITEM NO.	DESCRIPTION	2302	2305	2307	2310	Quantity
1	Pick Up Tube	7-72-118	7-72-118	7-72-118	7-72-118	1
2	Coupling	7-07-268	7-07-268	7-07-268	7-07-268	1
3	Hose Connector*	7-07-159	7-07-159	7-07-159	7-07-159	1
4	Hose Clamp	7-07-166	7-07-166	7-07-166	7-07-166	2
5	Pick Up Hose	7-21-242	7-21-242	7-21-242	7-21-242	1
6	Eductor Connector**	7-07-161	7-07-161	7-07-161	7-07-161	1
7	O-Ring	7-57-227	7-57-227	7-57-227	7-57-227	1
8	½% Orifice	739018	739016	739019	739020	1
8	1% Orifice	739021	739017	739022	739023	1
8	3% Orifice	739002	739003	739004	739005	1
8	6% Orifice	739010	739011	739006	739007	1
9	Body	104125	104125	104125	104125	1
10	Throat	106381	106382	106383	106384	1
11	O-Ring	7-57-196	7-57-196	7-57-196	7-57-196	2
12	Spacer Pins	7-44-229	7-44-229	7-44-229	7-44-229	3
13	Jet	106379	115195	106378	106380	1
14	Retaining Ring	7-58-152	7-58-152	7-58-152	7-58-152	2
15	Swivel 2½" NH+	101325	101325	101325	101325	1
16	Swivel Plug	7-42-023	7-42-023	7-42-023	7-42-023	1
17	Ball Bearings	++	++	++	++	38
18	Swivel Gasket	7-17-043	7-17-043	7-17-043	7-17-043	1
19	Ferrule	109028	109028	109028	109028	2
20	Valve (Not Shown)	7-79-047	7-79-047	7-79-047	7-79-047	1
21	Valve Connector (Not Shown)	7-07-354	7-07-354	7-07-354	7-07-354	1

*When valve is used in pickup system and additional hose connector is needed.

**This connector not used in pickup system with valve.

+For other threads order by description and thread size (ODM and TPI) or by Akron Thread Code.

++Packet of 50 Ball Bearings — P/N 109041

Operating Instructions

Rated Flow is at 150 PSI inlet pressure.

The nozzle used must flow plus or minus 10% of the rated flow of the eductor.

This unit is supplied with ½%, 1%, 3% and 6% metering discs. Each disc is stamped with flow and percentage.

This unit is not recommended for use with twist shutoff-type nozzles.

A valve should be used in pickup system to avoid back pressure in hose and allowing water to go into foam supply. (Pickup hose is rated at 50 PSI maximum.)

Caution: If used with an automatic nozzle the inlet pressure must be no less than 150 PSI.



ISO 9001 REGISTERED COMPANY

PHONE: 330.264.5678 or 800.228.1161 | FAX: 330.264.2944 or 800.531.7335 | www.akronbrass.com

Available in Canada through AKRON MANUFACTURING COMPANY

PHONE: 519.773.8431 | FAX: 519.773.3794

REV. 12/05

WARRANTY AND DISCLAIMER: We warrant Akron Brass products for a period of five (5) years after purchase against defects in materials or workmanship. Akron Brass will repair or replace product which fails to satisfy this warranty. Repair or replacement shall be at the discretion of Akron Brass. Products must be promptly returned to Akron Brass for warranty service. We will not be responsible for: wear and tear; any improper installation, use, maintenance or storage; negligence of the owner or user; repair or modification after delivery; damage; failure to follow our instructions or recommendations; or anything else beyond our control. WE MAKE NO WARRANTIES, EXPRESS OR IMPLIED, OTHER THAN THOSE INCLUDED IN THIS WARRANTY STATEMENT, AND WE DISCLAIM ANY IMPLIED WARRANTY OF MERCHANTABILITY OR FITNESS FOR ANY PARTICULAR PURPOSE. Further, we will not be responsible for any consequential, incidental or indirect damages (including, but not limited to, any loss of profits) from any cause whatsoever. No person has authority to change this warranty.

© Premier Farnell Corporation. 2000 All rights reserved. No portion of this can be reproduced without the express written consent of Premier Farnell Corporation.

A Premier Farnell Company